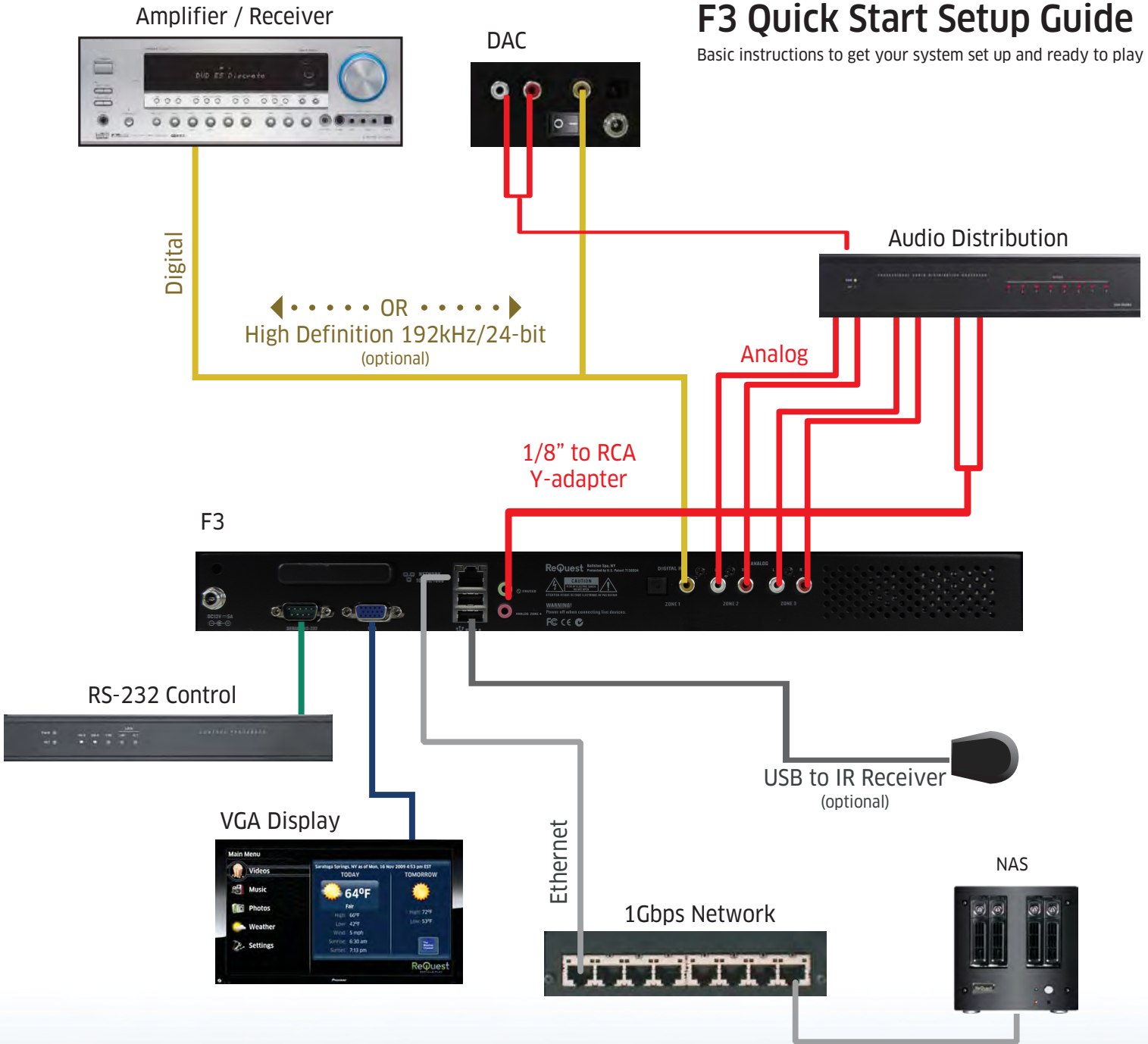


# F3 Quick Start Setup Guide

Basic instructions to get your system set up and ready to play



Open a web browser and browse to:  
**[request.com/findmyserver](http://request.com/findmyserver)**  
Your new F3 Server should show up in the list on the left. Select it and click

**Connect**

**Consult MediaPlayer Setup Guide for use with MediaPlayer or go to [ReQuest.com/support](http://ReQuest.com/support) for further documentation**